

Available in 15mm compression or push-fit

MagnaScale®

Scale reducer

Approved
magnetic
limescale
prevention



Long-term limescale protection

Hard water causes limescale formation in hot and cold water systems. Limescale builds up on heating elements in domestic appliances making them less efficient and shortening their operational life. *MagnaScale* has been designed to protect against limescale build-up in individual appliances.

Installation meets the requirement in Part L of the Building Regulations. This states that provision must be made to treat the feed water to water heaters and hot water circuit of combination boilers to reduce the rate of limescale accumulation.

Benefits

- **Immediate long-term limescale protection**
- **WRAS approved**
- **Designed to last ten years**
- **No running costs**
- **Maintenance free**
- **Part L Building Regulation compliance**
- **Easy installation – Compression slip socket design**
- **Environmentally friendly**
- **Energy savings**

Technical specification

Connection: 15mm compression/push-fit
Material: Copper tube to BS EN 12449
Maximum working temperature: 65°C
Minimum working temperature: 1°C
Maximum working pressure: 12 bar at 20°C
6 bar at 65°C
Compression body length: 145mm
Push-fit length: 213mm
Diameter: 35mm

MagnaScale 15mm Compression ΔP at 25.0 l/min = 120 mbar
MagnaScale 15mm Push Fit ΔP at 25.0 l/min = 148 mbar

Installation

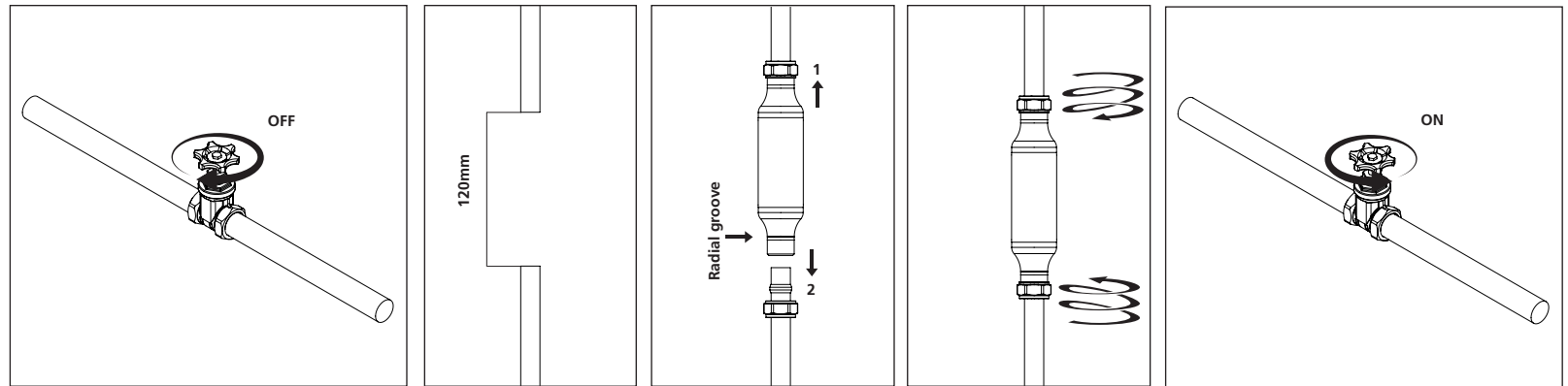
MagnaScale has been designed to protect against limescale build-up in individual appliances. To achieve the best level of protection, install as close to the appliance as possible, without exceeding maximum operating temperature. *MagnaScale* can be installed on both horizontal and vertical pipe work.



Compression installation

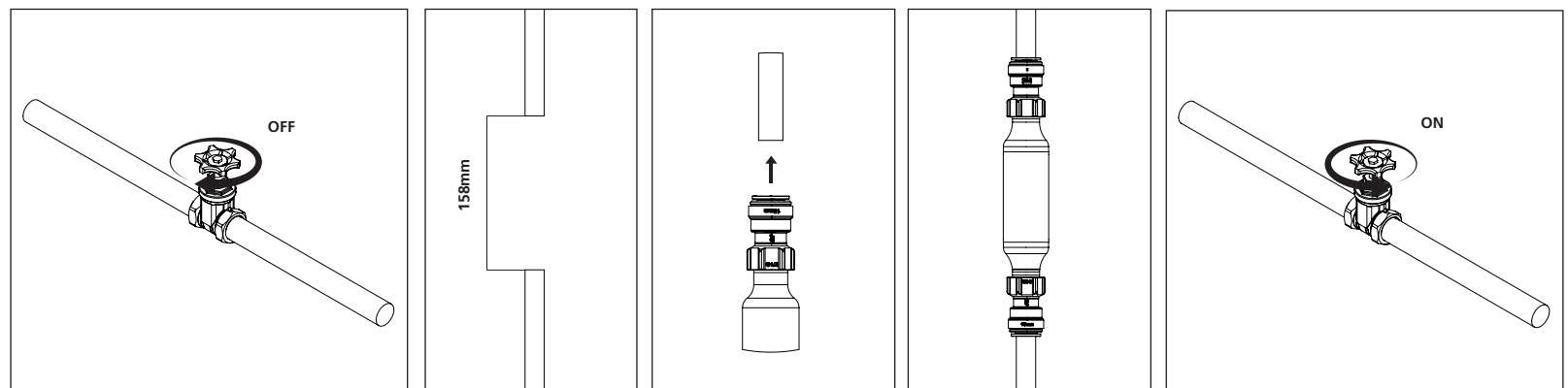
The slip socket design on the *MagnaScale* compression product makes it easy for retro-fit installations.

1. Turn-off water supply.
2. Cut-out 120mm of pipe.
3. Install using the slip socket, which is the connection opposite the radial groove.
4. Tighten both compression nuts.
5. Reconnect water supply and check for leaks.



Push-fit installation

1. Turn-off water supply
2. Select a section of pipework free of score marks and remove a 158mm section. Remove all burrs and sharp edges.
3. Install *MagnaScale* ensuring the pipes are pushed in as far as the pipe stops.
4. Reconnect water supply and check for leaks.



Important

To maintain earth continuity in accordance with current IEE regulations, when required a suit able earth bonding cable should be fitted to the pipework to bypass the product. Refer to NICEIC 17th edition for more information. For information on hard water areas, please visit www.adey/hardwatermap.com



Telephone: 01242 546700 Email: info@adey.com
www.adey.com



Produced from recycled material

A carbon neutral company