

Approved electrolytic limescale prevention

ElectroScale[®]

Scale reducer

22mm
compression
scale reducer



 **WRAS**
APPROVED PRODUCT
CERTIFICATION MARK

 **ADEY[®]**


THE QUEEN'S AWARDS
FOR ENTERPRISE
INNOVATION
2012

ElectroScale®

Scale reducer

Long-term limescale protection

ElectroScale® has been designed to prevent limescale build-up in homes and small commercial properties. The product is a non-polluting electrolytic water conditioner. The electrolytic cell alters the crystal structure of the limescale as it passes through making it less likely to stick to pipes or other surfaces. A 'fit and forget' solution, *ElectroScale* does not require an electrical power supply.

Installation meets the requirement in Part L of the Building Regulations for provision to be made to treat the feed water to water heaters and hot water circuit of combination boilers to reduce the rate of limescale accumulation.

Benefits

- Immediate long-term limescale protection
- WRAS approved
- Whole house protection
- Designed to last ten years
- No running costs
- No mains power supply required
- Maintenance free
- Part L Building Regulation compliance
- Environmentally friendly
- Energy savings
- Made in the UK

Technical specification

Connection: 22mm copper compression to BS EN 1254-2
Material: External copper body with internal zinc anode
Maximum working temperature: Cold feed only
Minimum working temperature: 1°C
Maximum working pressure: 10 bar at 20°C
Length: 197mm
Diameter: 37mm
Weight: 715g
Pressure drop at 36.0 l/min = 80 mbar

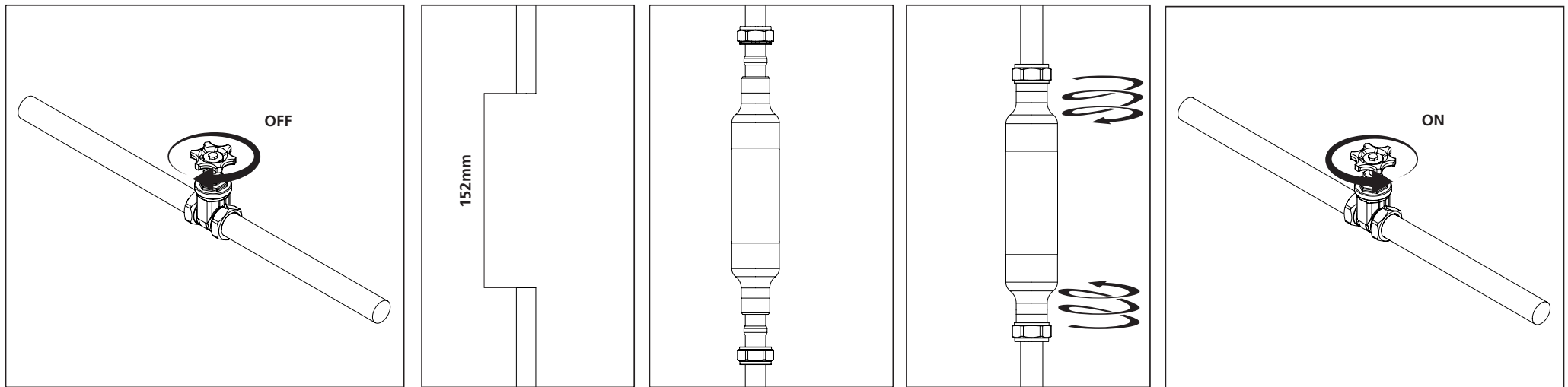
Best practice

To achieve the best level of protection, install *ElectroScale* on the incoming water supply after the water meter and primary filter units (if installed). This ensures the whole property is protected. *ElectroScale* can be installed on both horizontal and vertical pipework.

Note: Ensure *ElectroScale* is fitted at least one metre away from boiler.



Installation



1. Turn-off water supply.
2. Drain the system.
3. Cut-out 152mm section of pipe.
4. Install *ElectroScale* onto the pipework.
5. Tighten both compression nuts.
6. Reconnect water supply and check for leaks.

Important

To maintain earth continuity in accordance with current IEE regulations, when required a suitable earth bonding cable should be fitted to the pipework to bypass the product. Refer to NICEIC 17th edition for more information.



Telephone: 01242 546717 Email: info@adey.com
adey.com



Produced from recycled material

A carbon neutral company